



**SUPREME COURT
BIDS AND AWARDS COMMITTEE FOR THE HALLS OF JUSTICE**

TO : ALL INTERESTED BIDDERS

**PROJECT : PROCUREMENT FOR THE SUPPLY, DELIVERY AND
INSTALLATION OF OFFICE FURNITURE FOR THE HALL OF
JUSTICE OF QUEZON CITY**

RE : BID BULLETIN NO. 3

DATE : NOVEMBER 28, 2018

Please be informed of the following inclusion and clarification in the bid documents as the same were inadvertently left out during the preparation of the bid documents, to wit:

<i>Technical Specifications</i>	Drawing of <u>Office Desk Module 1 (6 Sets)</u>, with Specifications, (herein attached as Annex "A") should be included
	The specification drawing of <u>Office Desk Module (ODM) 6</u> should apply to both <u>ODM 6a</u> and <u>ODM 6b</u> in the list of furniture

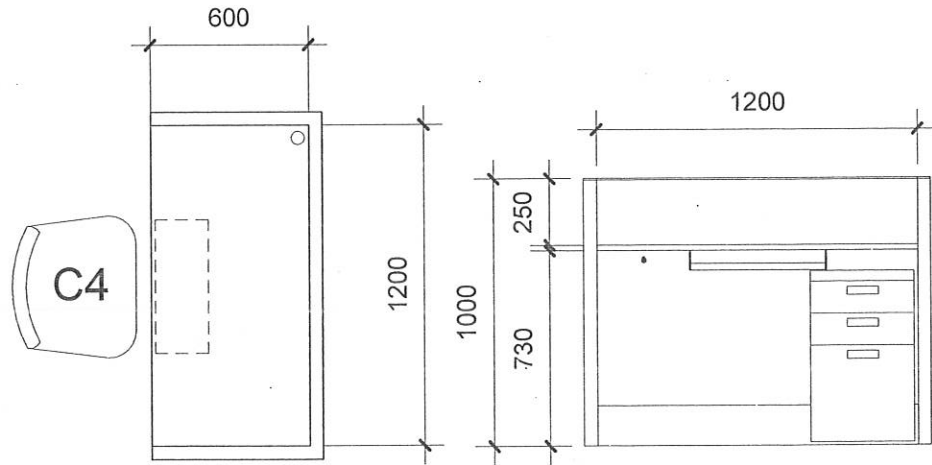
Please be guided accordingly.

Original signed
RAUL BAUTISTA VILLANUEVA
Deputy Court Administrator
and Chairperson, Bids and Awards Committee
for Halls of Justice

OFFICE DESK MODULE 1 (6 SETS)

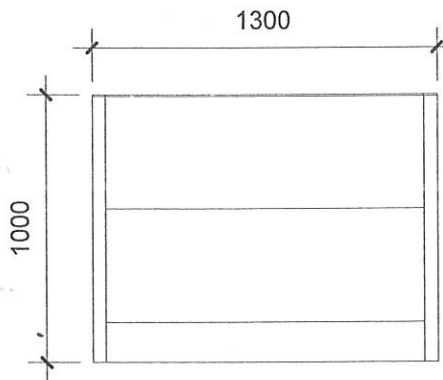
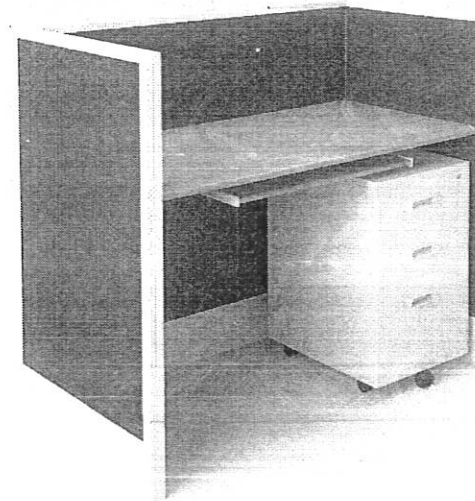
LOCATION - STAFF AREA
3,4,8,9,11 & 13

SPECIFICATIONS

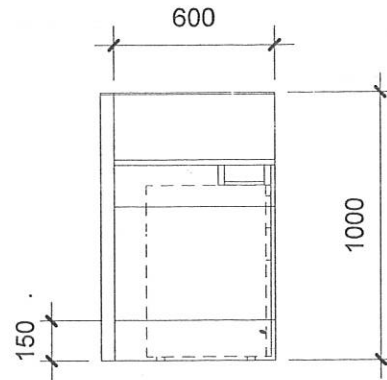


PLAN

REAR VIEW



FRONT VIEW



SIDE VIEW

- 25.0mm THICK x 1200mmL x 600mmW MELAMINE LAMINATED WOOD GRAIN FINISH PARTICLE BOARD TABLE TOP WITH uPVC EDGING AND SIDE PRIVACY PARTITION PANEL SUPPORT SYSTEM; FINISH SHALL BE SUBJECT TO THE APPROVAL OF THE OWNER.
- 40mm to 50mm THICK x 1000mm H ALUMINUM FRAME PARTITION WITH THREE (3) LAYERS METAL PARTITION FABRIC FINISH; COLOR OF THE FABRIC SHALL BE SUBJECT TO THE APPROVAL OF THE OWNER;
- RUBBER MOLDED OR PLASTIC FOOT PADS;
- 50.0mm DIAMETER PLASTIC GROMMET HOLES; AND
- SLIDING KEYBOARD TRAY
- POWER AND WIRE MANAGEMENT CHANNELS AND OUTLETS AT BASEBOARD AND TABLE LEVEL

COMPLY NOT COMPLY

(Bidder or Authorized Representative)